

KARIBAN

REFERENCE : K885

NAME : APRON

SIZES : U

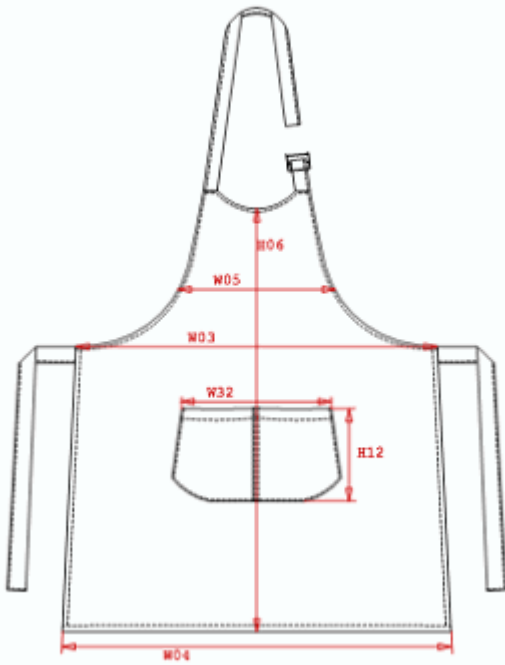
COMPOSITION :

Main fabric : Gabardine 280 100%cotton

WEIGHT :

Main fabric : 280 gsm

| DESCRIPTION | |
|---------------------|----------------------|
| Français : | Tablier de sommelier |
| English : | Apron |
| Nederlands : | Kelnershort |
| Deutsch : | Kelner schürze |
| Español : | Delantal |
| Italiano : | Grembiule |
| Português : | Avental com peito |



| MEASUREMENT | | | | | | |
|--|-------|--|--|--|--|--|
| Description | U | | | | | |
| H06 Hauteur milieu devant / Middle front length | 90 | | | | | |
| W03 Largeur taille / Waist width | 76 | | | | | |
| W05 Largeur poitrine / Chest width | 37 | | | | | |
| W04 Largeur bas / Bottom width | 81 | | | | | |
| H12 Hauteur poche / Pocket height | 20 | | | | | |
| W32 Largeur haut de poche devant / Top pocket width | 31,50 | | | | | |

| PACKING | |
|---------|--|
| Box | 50 pcs / box U => L:51cm W:42.5cm H:22cm GW:14.85kg NW:13.50kg |

| CARE LABEL | | | | |
|------------|--|--|--|--|
| | | | | |

KARIBAN

REFERENCE : K885

NAME : APRON

SIZES : U

COMPOSITION :

Main fabric : Gabardine 280 100%cotton

WEIGHT :

Main fabric : 280 gsm

FABRIC CONSTRUCTION AND FINISHING :

| COLORS | PANTONE SERIGRAPHIE |
|---------------|--------------------------------|
| Black | Black |
| Wine | 504C |
| Bottle green | 567C |
| Beige | 7530C |
| Burnt orange | 159C |
| White | White |
| Red | 1935C |
| Dark grey | 432C |
| Chocolate | 476C |
| Kelly green | 340C |
| Navy | 539C |
| Lagoon | 2915C |
| Green olive | Black 2C |
| Yellow | 123C |
| Royal blue | 287C |
| Lime | 367C |
| Light grey | 422C |
| Dark pink | 210C |